



Installation and Operation Instructions
for **USA only**

Model: HF-577IU7

Cast Iron Fireplace Insert

(EPA Approved Wood Burning)



Tested &
Listed By



Portland
Oregon USA

OMNI-Test Laboratories, Inc.

Report # 375-S-07-2
Conform to UL 1482-2010

KINDLY SAVE THESE INSTRUCTIONS FOR FUTURE REFERENCE

Safety Notice

If this solid fuel room heater is not properly installed, a house fire may result. For your safety and to reduce the risk of fire, follow the installation directions. Contact local building, fire officials or the authority having jurisdiction about restrictions and installation inspection requirements in your area, including the need to obtain a permit. Kindly save these instructions for future reference.

VERY IMPORTANT

PLEASE READ THIS ENTIRE MANUAL BEFORE YOU INSTALL AND USE YOUR NEW ROOM HEATER. FAILURE TO FOLLOW INSTRUCTIONS MAY RESULT IN PROPERTY DAMAGE, BODILY INJURY, OR EVEN DEATH. FAILURE TO READ AND FOLLOW THESE INSTRUCTIONS BEFORE YOU PROCEED MAY RESULT IN DAMAGE, VOIDING YOUR WARRANTY!

HOT WHILE IN OPERATION. KEEP CHILDREN, CLOTHING, AND FURNITURE AWAY. CONTACT MAY CAUSE SKIN BURNS.

Please contact the Hi Flame[®] dealer in your area if you have any questions about your stove that are not covered in this manual.

Introduction

Congratulations on purchasing a genuine Hi Flame® Fireplace insert. When cared for properly, the high quality, finely crafted cast iron fireplace inserts and fireplaces will offer many years of reliable performance. This instruction manual has been developed to ensure optimum performance from the Hi Flame® fireplace insert. It's very important that you thoroughly read and understand all instructions before using your new fireplace insert.

Table of Contents

	Page
VERY IMPORTANT	1
Introduction	2
Sample of Label	3
Fireplace insert Safety	4
Check building codes	5
Before installing your Insert	5
Adequate provision air	5
Masonry fireplace requirements	6
Factory-built fireplace requirements	6
Installation	6
The floor protection	7
Installation clearances	7
Well sealed flue system	8
Chimney connection	8
Chimney height	8
Operating Your Fireplace insert	9
Fuel	9
First operation of fireplace insert	9
Air controls	9
Refueling	10
Ash removal	10
Overnight burning	11
Fireplace insert Maintenance	11
Care of glass	12
Replacement of glass	12
Replacement parts	12
HF-577IU7 Part list.....	13
Surface finish	14
Trouble Shooting	14
Fire not burning	14
Glass blackens	14
Smoke in room	14
Fire burning too quickly	15
Chimney fire	15
Specifications	15
Hi Flame America Warranty	16
Warranty Policy & Procedures	16

Sample of Label

CONTACT YOUR LOCAL BUILDING
AND INSTALLATION

OFFICIALS ABOUT RESTRICTIONS
INSPECTION IN YOUR AREA

Listed Room Heater, Solid Fuel Type



"PREVENT HOUSE FIRES"

Install and use only in accordance with manufacturer's installation instructions and your local building codes.

Connect to a code-approved masonry chimney or listed factory-built fireplace chimney with a direct flue connector into the first chimney liner section.

CAUTION: Special methods are required when passing a chimney or chimney connector through a wall or ceiling; refer to local building codes. Do not connect this unit to a chimney flue serving another appliance.

NOTE: Replace glass only with 5mm CERAMIC or NEOCERAM glass.

Manufactured by:

Henan Hi-Flame Metal Co. Ltd.
Eastside Yugang Avenue
Airport District
Zhengzhou, Henan, China 451163

SERIAL # _____

MODEL NAME: HF-577IU3 HF-577IU7

TESTED TO: UL 1482

TYPE OF FUEL: Solid Wood Only

WARNINGS:

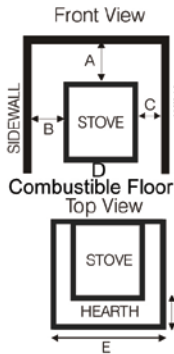
Risk of smoke and flame spillage, operate only with doors fully open or fully closed.

Do not obstruct space under heater.

Do not use grate or elevate fire. Build wood fire directly on stone.

Do not overfire. If the heater or chimney connector glows, you are overfiring.

Clearance to Combustible Materials*



- A - 29 in to trim or masonry
- B - 19 in
- C - 19 in
- D - 8 in
- E - 44 in
- F - 20 in
- F* - 30 in

Floor protection

When unit is installed at least 8" above combustible floor the non-combustible floor protector must have an R-value = 1.03 or greater and extend 20" to the front and 8" beyond each side.

*When appliance is installed flush with combustible floor the floor protection must extend 8" beyond each side of the fuel loading door and 30" to the front and consist of non-combustible material having an R-value = 4.8 or greater.

* Refer to the Installation Manual for additional clearance information.



CAUTION: HOT WHILE IN OPERATION. DO NOT TOUCH. KEEP CHILDREN, CLOTHING AND FURNITURE AWAY. CONTACT MAY CAUSE SKIN BURNS. SEE NAMEPLATE AND INSTRUCTIONS. INSPECT AND CLEAN CHIMNEY AND CONNECTOR FREQUENTLY. UNDER CERTAIN CONDITIONS OF USE, CREOSOTE BUILDUP MAY OCCUR RAPIDLY.

U.S. ENVIRONMENTAL PROTECTION AGENCY
Certified to comply with July 1, 1990 particulate emissions standards

Date of Manufacture														
2012	2013	2014	Jan	Feb	Mar	Apr	May	Jun	Jul	Aug	Sep	Oct	Nov	Dec
■	■	■	■	■	■	■	■	■	■	■	■	■	■	■

Fireplace insert Safety

When properly maintained and operated your fireplace insert should give you many years of service. However there are important safety aspects of these products that you need to be aware of when operating a wood fireplace insert.

1. Only use solid wood fuel. Never use gasoline, gasoline-type lantern fuel, kerosene, charcoal, lighter fluid, naphtha, engine oil, or similar liquids to start or 'freshen up' a fire in this heater. Keep all such liquids well away from the fireplace insert while it is in use. Do not burn garbage in the fireplace insert.
2. The burning of wood gives off gases which can be extremely dangerous. The fireplace insert is designed that under normal operating circumstances these gases pass up the flue chimney system and cannot escape into your home, however it is important that your flue system is properly installed and that you check all joints regularly to ensure that there are no cracks or gaps, check the door sealing rope and replace when damaged. We recommend a smoke alarm be fitted in rooms where fireplace inserts are installed. Do not use fireplace insert in a room where negative pressure conditions may occur, such as through the use of extraction fans unless an adequate air supply into the room is ensured, as this may draw air through the fireplace insert and cause products of combustion to escape into the room.
3. Creosote and soot may accumulate in your flue pipe and chimney. This may ignite, causing a chimney fire. If you suspect a chimney fire evacuate people from the building, close down the air controls on the fireplace insert and call the Fire Department. To prevent the accumulation of soot or creosote, check flue and chimney regularly and clean as necessary. Good burning, hot fireplace inserts will generally cause a lot less build-up than slow burning fireplace inserts. Likewise dry wood will cause less build-up than wet wood. We recommend a fire extinguisher be available where fireplace inserts are in operation. In the event of a chimney fire do not re-light the fireplace insert until it and the flue chimney system have been thoroughly checked and repaired as necessary.
4. Fireplace inserts get extremely hot and should not be touched when lit. When young children are in the area, we recommend the use of a suitable fire guard around the fireplace insert. Always wear protective gloves when reloading fireplace insert.
5. Never over-fire your fireplace insert. If external parts of your fireplace insert are glowing red then the fireplace insert is over-firing and your draft settings should be reduced. Never interfere with the draft mechanisms or adjust your air settings outside those limits set when the fireplace insert is manufactured. Never use a fan to supply air to the fireplace insert or to extract air from it.
6. All users of this product should be aware of the contents of this manual. Please leave this manual where it is accessible to fireplace insert users and do not allow anyone to use the fireplace insert that is unfamiliar with its correct operation.
7. Never use the fireplace insert if any parts are missing or damaged, only use genuine parts as replacements. Never modify your fireplace insert.
8. DO NOT INSTALL IN A MOBILE HOME.
9. Do not use makeshift comprises when installing the unit.

We hope you have many years of warmth and comfort from your fireplace insert but please do so safely.

Check Building Codes

When installing, operating and maintaining your fireplace insert, follow the guidelines presented in these instructions, and make them available to anyone using or servicing the fireplace insert.

Your city, town, county or province may require a building permit to install a solid-fuel burning appliance.

In the U.S., the National Fire Protection Association's Code, NFPA 211, Standards for Chimneys, Fireplaces, Vents and Solid Fuel Burning Appliances, or similar regulations, may apply to the installation of a solid fuel burning appliance in your area.

Contact local building or fire officials about restrictions and installation inspection in your area.

Before installing your insert

You need to consider the following to ensure the safe operation of your fireplace insert.

- Provision of adequate air to support efficient combustion of the fuel.
- A well sealed flue/chimney system, herein after referred to as the "flue system."
- The protection of combustible materials in proximity of the fireplace insert.

Adequate provision air

It is essential for the safe and efficient use of your fireplace insert that you provide an adequate air supply to your fireplace insert. This may mean the provision of an outside air supply to the room, especially if there are extraction units such as cooker hoods or clothes dryers in the vicinity. Failure to do so will mean that fuel is burned inefficiently causing smoke and blackening the glass and may also cause smoke to come back into the room. As a simple check for this open a door or window in the room and check if the fireplace insert burns more efficiently.

Installation

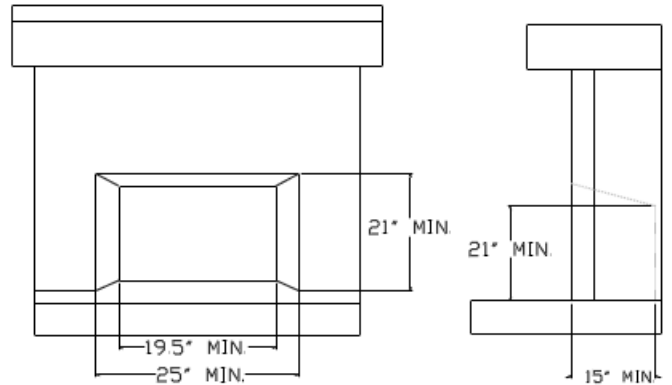
Unpacking and preparing your fireplace insert for installation.

Remove your fireplace insert from the outer packaging and place on floor. Please inspect fireplace insert and check that it is not damaged in any way. Never attempt to use a fireplace insert that has been damaged.

1. If you are installing the fireplace insert yourself, proceed as follows. However, if you are unsure about any aspect of fireplace insert installation, please contact your dealer and he will discuss installation with you or put you in touch with an experienced fireplace insert installer.
2. Open fire door. Remove and check the following contents.
 - Instruction book
 - Ash pan – 1pc
 - Ash shovel – 1pc
 - Gloves – 1pair
 - Operating tool – 1pc
 - Spare glass clips – 2pcs
 - Spare screws for heat shield

In the unlikely event that something is missing please contact your dealer immediately and we will rectify the situation.

3. Minimum Fireplace Dimensions
4. Move the fireplace insert into position in your fireplace. Do not drag the fireplace insert as this may damage the fireplace hearth or the fireplace insert base.
5. Connect the flue pipe liner from the chimney to the fireplace insert flue collar.
6. Push the fireplace insert into final position with the surround against the fireplace.



Masonry Fireplace Requirements

7. The entire fireplace and chimney must be cleaned and inspected before installation. The system must meet local building code requirements.
8. The structure and components must be free of any defects such as cracks or broken bricks or flue tiles. Any damage must be repaired before installation. Any opening that may exist between the masonry of the fireplace and the facing masonry must be permanently sealed.
9. The chimney must have a clay tile liner or a stainless steel liner utilizing a positive connection.
10. **DO NOT REMOVE BRICKS OR MORTAR FROM THE FIREPLACE OR CHIMNEY STRUCTURE.** However, masonry or steel may be removed from the smoke shelf and adjacent damper frame area to accommodate installation of a chimney liner, provided that their removal will not weaken the structure of the fireplace or chimney, and will not reduce protection for combustible materials.

Factory-Built Fireplace Requirements

The HF-577IU7 may be installed into a factory-built fireplace with the following conditions:

- The factory-built fireplace must be listed per UL 127.
- Installation must include a full height listed chimney liner meeting type HT requirements (2100F) per UL 1777 (U.S.). The liner must be securely attached to the insert flue collar and the chimney top.
- The damper or fireplace front must be sealed to prevent passage of room air into the the chimney cavity.
- Circulating air chambers (i.e. in a steel fireplace liner or metal heat circulator) may not be blocked.
- Air flow within and around the fireplace shall not be altered by installation of the insert. The C 450 Surround Panels comply with this requirement.
- Alteration of the fireplace is limited to a) removal of the damper for liner installation & b) removal of external, non-functional trim which must be stored within the fireplace for replacement.
- Fireplace Conversion Notice must be permanently attached to the back of the fireplace. This metal label is included in the bag containing this manual.
- Final approval is contingent on the authority having local jurisdiction.
- Existing fireplace dampers shall remain locked in the open position.

The floor protection

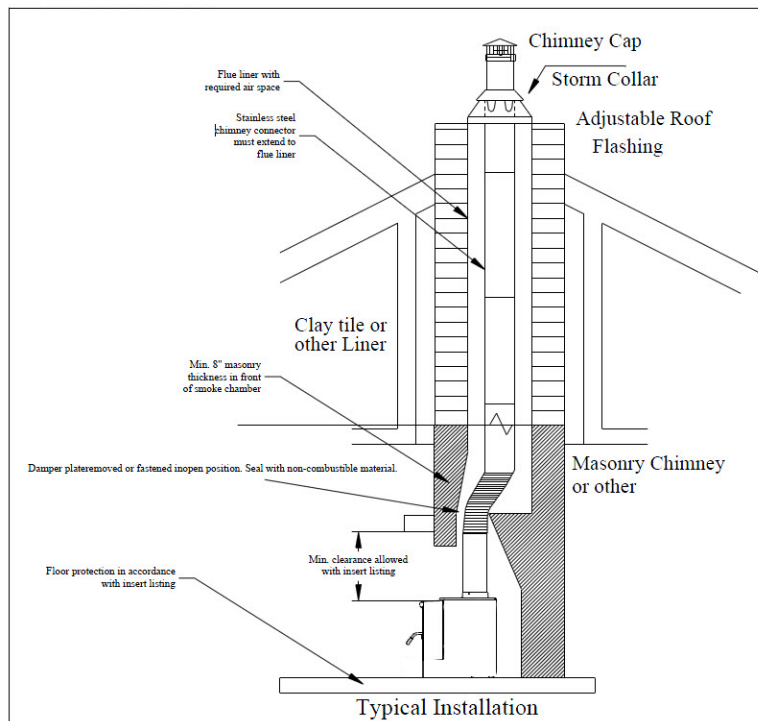
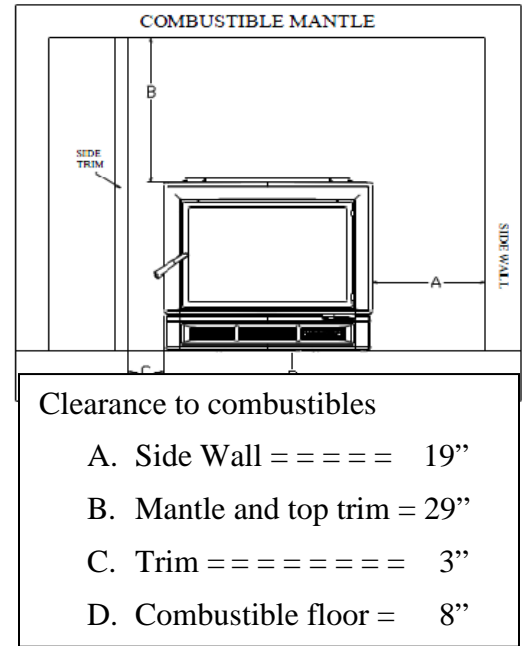
When unit is installed at least 8" above combustible floor the non-combustible floor protector must have an R-value = 1.03 or greater and extend 20" to the front and 8" beyond each side.

*When appliance is installed flush with combustible floor the floor protection must extend 8" beyond each side of the fuel loading door and 30" to the front and consist of non-combustible material having an R-value = 4.8 or greater.

Installation Clearances

It is extremely important that you respect required installation distances and that you respect local installation regulations. This is for your safety! The manufacturer is not responsible for the product, if it is not installed following these recommendations. These clearances may only be reduced by means approved by the regulatory authority.

Make sure that the Fireplace Insert will have enough clearance to combustible materials that would surround the insert. These combustibles can include walls, floor, ceiling, fireplace, and chimney. You must carefully consider the clearances to all of these combustibles before actually connecting your Fireplace Insert.



Well sealed flue system

Only materials and items approved for solid fuel fireplace inserts should be used for your fireplace insert. Under no circumstances should you use aluminum or galvanized steel pipes for your fireplace insert flue.

Always fit pipes with the narrow side down, this allow any creosote to run down the inside of the pipe and not to come out and cause an unsightly mess and possible fire hazard. All joints in the flue system should be sealed with fire cement and/or an appropriate fire resistant rope or gasket.

Pipe bends should be kept to a minimum and we do not recommend using more than 2 bends on any installation. Flues must not pass through ceilings, floors, attics, roofs, or combustible walls without adequate and approved insulation being provided to protect combustible materials.

The chimney and flue provide a means of taking combusted fuel from the fireplace insert, as well as a draft to enable the fireplace insert to work. It is essential that the flue system is kept in good condition and there are no breaks or cracks allowing contact with any other combustible materials of the house. It is also essential that the flue system is kept clean and seals are maintained to ensure the draft is not lost.

The open end of the flue system must be above the height of the apex of the building and any other obstructions, such as trees, which are within 3 meters (10ft) of the flue system. Failure to do this will affect the efficiency of the fireplace insert and may cause down drafts which will mean dangerous products of combustion are emitted into room.

Under no circumstances should the flue pipe be less than 6" internal diameter.

Chimney Connection

A positive connection must be made between the fireplace insert and the chimney by one of the following approved methods.

The insert is connected to a listed stainless steel flexible connector that extends beyond the chimney flue tile liner. A sealed block-off plate must be installed at the damper area of the existing fireplace. See fig. 11.

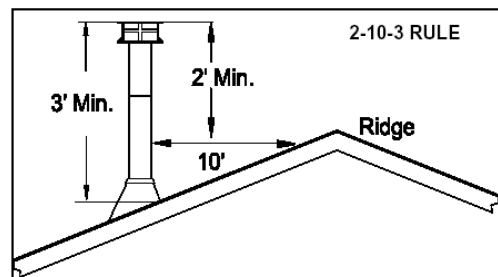
For internal chimneys, (no sides of the chimney exposed to the outside below the roofline,) a positive connection to the first flue tile is acceptable provided the tile is no larger than 8" x 12". For external chimneys, (one or more sides are exposed to the outside below the roof line,) a positive connection to the first flue tile is acceptable provided the tile is no larger than 8" x 8".

A 6", 7", or 9" stainless steel liner, extending the full height of the chimney, is required for all installations where the flue tile is greater than 8" x 12" for internal chimney, or 9" x 8" for external chimneys.

DO NOT CONNECT THIS UNIT TO A CHIMNEY FLUE SERVING ANOTHER APPLIANCE. DO NOT CONNECT TO ANY AIR DISTRIBUTION DUCT OR SYSTEM.

Chimney Height

A masonry chimney or a listed factory-build chimney must be the required height above the roof and any other nearby obstructions. The chimney must be at least 3' (90 cm) higher than the highest point where it passes through the roof and at least 2' (60 cm) higher than the highest part of the roof or structure that is within 10' (305 cm) of the chimney, measured horizontally.



Operating Your Fireplace Insert

Do not use a grate, andiron or other fuel support method. Build fire directly on the hearth.

Keep door closed during operation. Only open door to fuel/refuel the fireplace insert. Excess air can cause the fireplace insert to over fire. Do not over fire, if chimney or fireplace insert is glowing red you are over firing.

Do not build the fire too close to the glass. Do not abuse the glass doors. Do not strike or slam shut the door.

Fuel

Your fireplace insert is designed to burn solid wood fuel only; it is **not** designed to burn,

- Paper or cardboard, other than small amounts used to light fireplace insert.
- Treated or painted wood
- Synthetic fuel or logs that are not approved for solid fuel fireplace inserts
- Household rubbish
- Liquid fuels
- Plastics

Burning these or other products for which the fireplace insert was not designed may damage the fireplace insert and cause a fire hazard or release toxic fumes

Fuel should be stored in a dry place; wood should be dried for at least 1 year. Do not store fuel within the installation clearances or within the space required for charging and ash removal. Wet wood may cause serious creosote, which may damage your flue system and even your fireplace insert. Therefore the use of wet wood is strongly discouraged.

First operation of fireplace insert

You should begin using your fireplace insert by lighting small fires which get progressively bigger. We recommend a series of about five small fires before you put the fireplace insert into full service. Allow the fireplace insert to fully cool between each of these fires. There may be some smell and a small amount of smoke from the fireplace insert during the initial operations. This is perfectly normal and is merely the curing of the fireplace insert paint. Opening a window or door to provide additional ventilation will help alleviate this.

Air controls

Your fireplace insert needs air to burn the fuel. This air is supplied through the levers at the base of the door and through the slots over the glass.

Primary air, as the name suggests, is used for the initial burning of the fuel. Secondary air is used for secondary combustion, which makes the fireplace insert more efficient, reduces the emissions and is also used to keep the fireplace insert glass clean. Wood burns better with the air over the fire bed and when burning a lot of wood, you should use the secondary air supply more.

The settings of both of these air controls very much depends on draft and local conditions and after a few fires; you should have a good idea of the best settings for your fireplace insert. The air controls should be fully opened when lighting the fire. Once the fire is established, the controls may be adjusted as required. Reducing the air intake will cause the fireplace insert to burn slower. This may cause some blackening of the fireplace insert glass, but this should burn off once the fireplace insert is burning brightly again.

Refueling

Before refueling your fireplace insert, turn the air supply to high for a few moments until there is a good fire in the fireplace insert. This will ensure there is no build-up of harmful gases in the fireplace insert when the door is opened and will also get the new fuel burning quickly and not allow it to kill the fire.

To reload the fireplace insert, open the door and feed the fuel in slowly using tongs or a small shovel. Do not overfill the fireplace insert. It is always better to put in small loads often rather than big fills less frequently. Close the door gently after fireplace insert is reloaded.

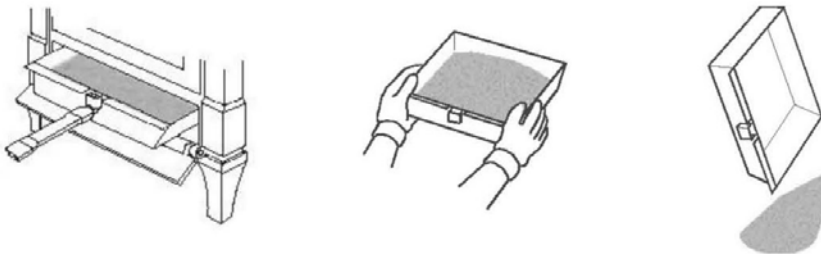
You should always wear protective gloves and use tongs when tending a hot fireplace insert.

Ash removal

Your fireplace insert is fitted with a shaker grate to remove the ash from the firebox. Use the operating tool to move the shaker knob forward and back. This will allow the ash to fall into the ash pan under the fire bed. This can also be achieved by using a poker.

When ash has built up in the ash pan, it should be emptied. Failure to do this will cause ash to build up around the grate and may cause your grate to warp or burn out. It is especially important when burning fuel with high ash content that you keep your grate clear and your ash pan emptied regularly, so as not to damage your grate. Clear the grate with the shaker bar or a poker regularly.

To remove the ash, open the fireplace insert door and use the operating tool provided to lift the ash pan out of the fireplace insert. If possible, this should be done before lighting the fireplace insert when the ash is cold. Even if the ash appears to be cold, it should be placed in a non-combustible container as there may be hot ash in the center of the pile. You should always wear protective gloves when removing ash from the fireplace insert.



This fireplace insert is not designed to operate with the door open. Always close the fireplace insert door when you have taken out the ash tray and leave closed while disposing of the ash. Only reopen to put ash pan back into the fireplace insert and close immediately afterwards.

Disposal of Ashes

Ashes should be placed in a metal container with a tight fitting lid. The closed container of ashes should be placed on a noncombustible floor or on the ground, well away from all combustible materials, pending final disposal. If the ashes are disposed of by burial in soil or otherwise locally dispersed, they should be retained in the closed container until all cinders have thoroughly cooled. Do not place any other waste in the container.

Overnight burning

Your fireplace insert is designed to allow overnight burning. To do this, put a good fuel bed into the fireplace insert and allow it to burn for about 15 minutes so as not to kill the fire. Then close the secondary air supply at the top of the door and turn the primary air inlet to almost closed. The exact setting of this depends on local conditions, but we suggest you begin with about a ½ turn open. If the fire burns away, then next time close it a little more. If the fire goes out, you need to try with it a little more open. After a couple of nights, you will find the setting that best suits the local conditions of your fireplace insert.

When you return to your fireplace insert, fully open both air controls until you have a good fire and then set to normal operating levels. Do not add fuel until the fire bed is hot and red. Then add a little for the first time and allow that to ignite before adding more. During overnight burning, the fireplace insert glass will blacken, but when a hot fire is established again this should burn off.

Fireplace insert Maintenance

Check fireplace insert regularly

Creosote – Formation and Need for Removal – When wood is burned slowly, it produces tar and other organic vapors, which combine with expelled moisture to form creosote. The creosote vapors condense in the relatively cool chimney flue of a slow-burning fire. As a result, creosote residue accumulates on the flue lining. When ignited, this creosote makes an extremely hot fire. The chimney and chimney connector should be inspected at least once every two months during the heating season to determine if a creosote buildup has occurred. If creosote has accumulated, it should be removed to reduce the risk of a chimney fire.

Initially, we recommend you check your flue system at least once per month. After the first few months you will notice a pattern of soot and creosote build up and you can then determine an inspection interval for checking soot and creosote build up that is suitable for your fireplace insert installation.

Other checks, as listed below, should be carried out at least twice per year. If you notice anything wrong at any time it should be repaired immediately. Never use a fireplace insert that is in any way damaged or has a damaged flue.

1. Check your flue system for build up of soot or creosote and for signs of damage to joints. To check flue outlet remove top of baffle by lifting and pulling out at end. Use a flashlight to check flue outlet. Clean and repair as necessary. Always replace top baffle before relighting fireplace insert.

2. Check that glass is not cracked or chipped and that sealing rope is in good condition. Replace as necessary.
3. When the room is dark, use a strong flashlight to check the sealing of the fireplace insert at the edge and corners for leaks. Any leaks or cracks found should be repaired with fire cement or damaged parts should be replaced with genuine spare parts.
4. Check that fireplace insert door is tight and well sealed when closed. Place a strip of paper into the fireplace insert and close the door, try to pull out paper. You should feel some resistance to your pull; check several points around the door. If it pulls out too easily, replace the rope and seal in place with a suitable high temperature sealant.

Care of glass

At times, especially when the air controls are turned to low settings or when damp wood is used, the fireplace insert glass will blacken. This is caused by fuel that is not completely burnt, but the build-up on the inside of the glass will normally burn off when a good hot fire is established in the fireplace insert.

There may be times however when you need to clean the glass. To do this, use a soft cloth and a non-abrasive glass cleaner. Only ever clean the glass when the fireplace insert is cold. When loading fuel into the fireplace insert, always make sure it is not protruding out through the door opening, as this may break the glass when you close the door. This is especially relevant when loading logs. Always close the door gently.

Do not operate with broken or cracked glass. If the glass does crack when the fireplace insert is lit, let the fire die out. Do not open the door until the fireplace insert has fully cooled. Replace the glass only with the specified replacement part before re-using the fireplace insert.

Replacement of glass

- 1 Remove the door from the fireplace insert and place on a flat surface.
- 2 Carefully remove all of the glass clips from the inside of the door.
- 3 Gently remove the glass panel and gasket.
- 4 Using a wire brush, remove all remaining debris from the glass area.
- 5 Apply a small bead of gasket/stove cement and the new gasket. Do not overlap the ends of the gasket rope.
- 6 Center the new glass panel over the gasket to reinstall the glass clips.
- 7 It may be necessary to retighten the glass clips after the fireplace insert has been burned and the gasket has been seated.

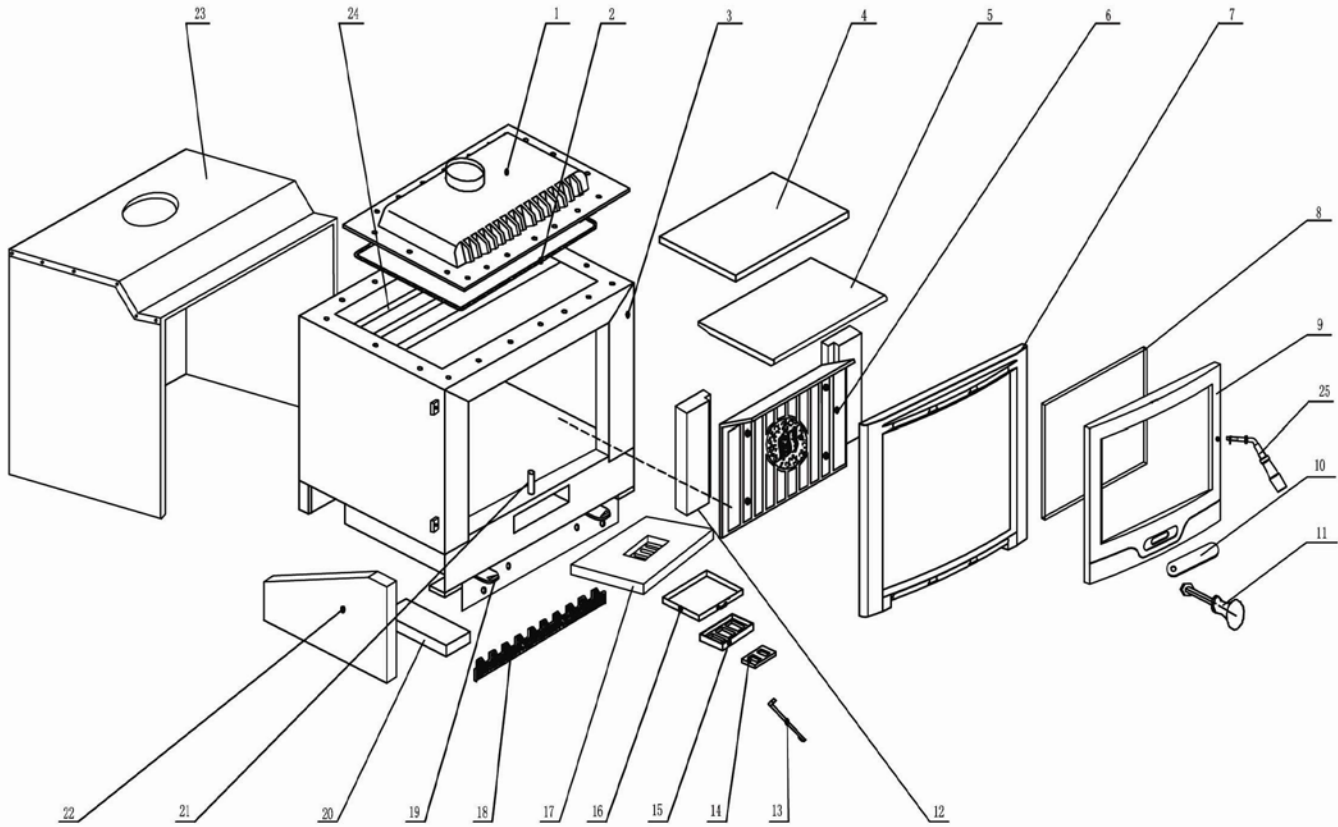
Important: 1. It is extremely important to tighten the glass clips slowly and in an alternating pattern.

2. Always wear protective gloves when you handle glass with sharp edges.

Replacement parts

Always use genuine replacement parts, ask retailer for compatible replacement parts. Only ever make replacements when the fireplace insert is cold. Replace glass only with 5 mm ceramic glass available from your dealer

HF-577IU7 Parts List



- | | | | |
|----|---------------------|----|----------------------|
| 1 | Top | 12 | Back bricks |
| 2 | Fiber Glass Gasket | 13 | Operating tool |
| 3 | Insert body | 14 | Draft control |
| 4 | Baffle insulation | 15 | Draft housing |
| 5 | Brick Baffle Panel | 16 | Ash pan |
| 6 | Fire back panel | 17 | Ash pan brick |
| 7 | Front | 18 | Grate Front |
| 8 | Ceramic glass | 19 | Primary air control |
| 9 | Door | 20 | Bottom bricks |
| 10 | Draft control panel | 21 | Pilot Air |
| 11 | Draft control knob | 22 | Side brick (LH & RH) |
| | | 23 | Body shell |
| | | 24 | Secondary Air Tubes |

Surface finish

The fireplace insert should only be cleaned using a damp cloth. Some cleaning products may leave stains on the fireplace insert surface. Never use abrasive cloths as these may scratch the surface. Painted fireplace inserts can be re-painted by using a good quality, high temperature fireplace insert paint. When re-painting, make sure there is plenty of ventilation and follow the manufacturer's instructions. Allow the paint to fully dry before lighting the fireplace insert and allow extra ventilation for the first couple of fires as some fumes may emit from the fireplace insert as the paint cures.

Trouble Shooting

Fire not burning

A fireplace insert not burning is generally caused by either a shortage of air and/or incorrect or damp fuel. If fuel is not the problem check:

- That the air controls are opened.
- There is no blockage in the flue system.
- That the open end of the flue is above the height of any nearby obstructions.
- That there is a sufficient air supply into the room and that this supply is not being taken by an extractor fan.

Glass blackens

Glass usually blackens when:

- The fuel is not being burned efficiently because of starvation of air.
- Bad quality or damp fuel is being used.
- Balance between primary and secondary air is incorrect.

Try to introduce more air into the fireplace insert, especially through the secondary air control on the top of the fireplace insert door as this air flows down over the glass to help burn off the creosote. For optimum efficiency always use a good quality wood.

Smoke in room

If the fireplace insert is properly installed it should not emit any smoke into your room. Should this happen,

Check that your room is not air tight. This can easily be checked by opening a door or window. If the smoking stops you need to provide an additional air supply into the room. If this is not the problem, check if your chimney is blocked or obstructed and that you are not getting a down draft caused by the location of the open end of the flue pipe or chimney.

If the problem persists contact your dealer and ask him to get your chimney and fireplace insert installation checked.

Fire burning too quickly

This is usually caused by too much draft or air.

- Firstly try reducing the air supply to the fireplace insert by closing down your air controls, if this fails then you may have damage to the sealing.
- Check the condition of the door sealing rope and the joints within the fireplace insert.

If neither of these solves the problem you may have too much draft on your chimney and you may need to fit a damper valve into your flue system. You should not install a flue damper without consulting a specialist. Never install a damper that can completely block your flue or chimney. Contact your dealer to discuss this.

Chimney fire

Chimney fires occur when soot and creosote that have built up in the flue system ignite. If the fireplace insert is operated properly and the flue checked and cleaned regularly then chimney fires should not occur. These fires can be very dangerous and must be avoided. Try to maintain good, hot fires in the fireplace insert whenever possible and at least once in every firing open the air controls and allow the fireplace insert to burn on full for a short while until the entire fire bed is glowing red. Check your flue system regularly for build-up of soot and creosote and clean as necessary.

Chimney fires can be detected by sparks coming from the top of the chimney, a roaring sound coming from the area of the fireplace insert or chimney or vibration in the fireplace insert or chimney.

In the event of a chimney fire, close the air controls, evacuate the building and call the fire department. Do not relight the fireplace insert after a chimney fire until the fireplace insert and flue have been checked and any necessary repairs have been carried out.

Specifications

Model No: HF-577IU7

Maximum Output EPA test wood: **43,138BTU/h**

Maximum Output Seasoned Cord Wood: **85,000BTU/h**

Overall Efficiency: **72 %**

EPA Emissions: **6.8Grams/h**

Real Net Weight: **374lbs(±5lbs)/ 170kgs(±2kgs)**

Heating Area: **2500 Sq. Feet**

Size of Fire Box: **3.0 Cubic Feet**

Burning Time: **Up to 9 hours**

Dimension (H x W x D): **27" x 33" x 22"**

645mm x855mm x560mm

Flue Size: **6"(150mm)**

Maximum Log Length: **24" (600mm)**

Hi Flame America Warranty

Warranty Policy & Procedures

Hi Flame America offers the original retail purchaser of Hi Flame® Solid Fuel burning products a limited 5-year warranty. The following outlines the Hi Flame America Warranty programs.

This warranty applies to the original retail purchaser only. Hi Flame America warrants that this stove or fireplace insert will be free of defects in material and workmanship for a period of five years from the date of purchase. Hi Flame America will repair or replace (parts and labor) at its option, any stove or fireplace insert or part thereof found to be defective.

DESCRIPTION	Warranty Defined	
	Parts	Labor
Firebox (welding only)	5 Years	1 year
Handle assembly	5 Years	Not Included
Ash pan	5 Years	1 year
Cast iron parts	7 Years	1 year
Ceramic glass (thermal breakage only)	1 year	Not Included
Paint, fire bricks	1 year	Not Included

You must arrange to deliver or ship the stove/insert or part to an authorized Hi Flame® dealer at your own expense and arrange for pickup or delivery of the same after the repairs have been made. If, upon inspection, any damage is found to be the fault of the manufacturer, the repair or replacement will be made. This warranty does not include expenses incurred from travel time or loss of service. This warranty is not transferable and is extended only to, and is solely for the benefit of, the original retail purchaser of the stove/fireplace insert. Please keep your dated sales receipt as proof of purchase.

Exclusions and Limitations

This warranty does not cover the following:

1. Repair or replacement of parts, which are subject to normal wear and tear during the warranty period or to parts that may require replacement in connection with normal maintenance. These parts include paint, gaskets, burn plates, baffles, fire grates or glass (glass is only warranted against thermal breakage).
2. Damage due to incorrect installations not in conformance with the manufacturer's installation instructions or local and national regulations. It is the responsibility of the installer to ensure that the unit is installed and operating correctly at the time of installation.

3. Damage caused by over-firing, which causes any part of the appliance to glow red, as defined in the operation manual. Over-firing can be identified by warped plates, rust colored cast iron, paint pigment that has turned dusty white, or bubbling, cracking and discoloration of the enamel finish.
4. Damage caused by unauthorized modification, use, or repair.
5. Damage made while the stove/insert/fireplace is in transit.
6. Products for which the manufacturer provides a specific warranty.
7. Travel time or any other expenses are not covered under warranty.
8. At no time will Hi Flame America be liable for any consequential damage which exceeds the purchase price of the unit. All warranties, implied warranties of merchantability or other, are limited in duration to the length of this written warranty. No other warranty, including oral, is enforceable.

NOTICE - This warranty is void if installation or service is performed by someone other than a qualified installer, service agency or if installation is not in conformity with installation instructions or local fire and building regulations. All warranty claims must be submitted through the authorized Hi Flame® dealer from whom the product was originally purchased.

Please contact the Hi Flame® dealer in your area if you have any questions about your stove that are not covered in this manual.

For further information, pls contact:

North America Distributer:

Hi Flame America Inc.
17-01 Pollitt Drive, Fair Lawn
NJ 07410, USA

Manufacturer:

Henan Hi-Flame Metal Co., Ltd
Yugang Avenue
Airport District
Zhengzhou 451163, Henan
China

All rights reserved for this booklet which may not be copied in whole or partially without the prior permission of **Henan Hi-Flame Metal Co., Ltd**